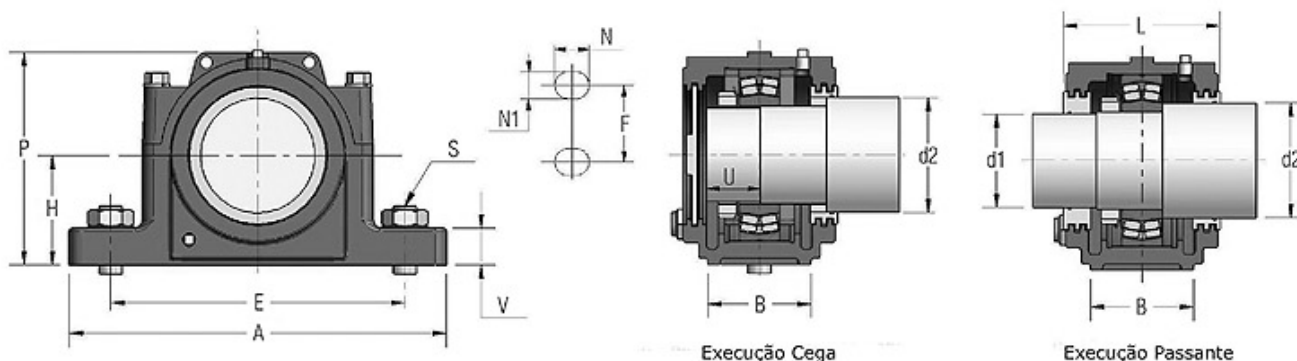


# SAF

MANCAL	SAF 200	SAF 300	SAF 500	SAF 600
<b>EIXO</b>	(3.5/8"-3") A (9.9/16"-8.5/16")	(1.15/16"-1.7/16") a (8.3/8"-7.1/4")	40 a 200 mm	40 a 170 mm
<b>ROLAMENTO</b>	Rolamentos 222-C	Rolamentos 223-C	Rolamentos de rolos 222-K, 202-K, 232-K Rolamentos autocompensadores de esferas 12-K, 22-K	Rolamentos 223-K
<b>COM BUCHA DE FIXAÇÃO?</b>	NÃO	NÃO	SIM	SIM
<b>COM 2 FUROS</b>	SAF 200	SAF 300	SAF 500	SAF 600
<b>COM 4 FUROS:</b>	FSAF 200	FSAF 300	FSAF 500	FSAF 600
<b>CARACTERÍSTICA</b>	Bipartidas	Bipartidas	Bipartidas	Bipartidas
<b>APLICAÇÃO</b>	cargas médias, altas e altas rotações	cargas médias, altas e altas rotações	cargas médias, altas e altas rotações	cargas médias, altas e altas rotações
<b>LUBRIFICAÇÃO PADRÃO</b>	Óleo	Óleo	Óleo	Óleo
<b>LUBRIFICAÇÃO OPCIONAL</b>	Graxa	Graxa	Graxa	Graxa
<b>VEDAÇÃO PADRÃO</b>	TS	TS	TS	TS
<b>VEDAÇÃO OPCIONAL</b>	TAS	TAS	TAS	TAS
<b>TABELA COMPLETA</b>	<a href="#">SAF 200 / FSAF 200</a>	<a href="#">SAF 300 / FSAF 300</a>	<a href="#">SAF 500 / FSAF 500</a>	<a href="#">SAF 600 / FSAF 600</a>
<b>TABELA DE RESISTÊNCIA DAS CAIXAS</b>	<a href="#">SAF 200 / FSAF 200</a>	<a href="#">SAF 300 / FSAF 300</a>	<a href="#">SAF 500 / FSAF 500</a>	<a href="#">SAF 600 / FSAF 600</a>

## SAF 200 / FSAF 200

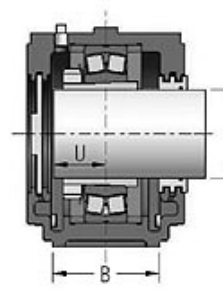
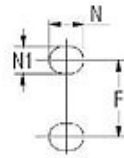
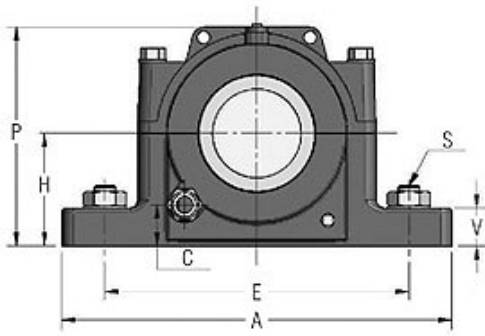
## SAF 300 / FSAF 300



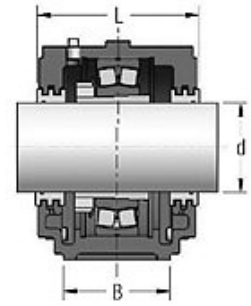
Série SAF 200																					
Caixa	d1	d2	Porca	Arruela	Rolam	H	E	A	B	C	F	L	N	N1	P	S	U	V	Anel dim.	FRB Qtd.	Peso (kg)
SAF 216	3"	3.5/8"	KM 16	MB 16	22216C	88,9	262	330	89	36	54	137	32	22	177	5/8" (3/4")	42	32	12,5/140	2	12
SAF 217	3.3/16"	3.15/16"	KM 17	MB 17	22217C	95,25	265	330	89	37	54	137	32	22	188	5/8" (3/4")	44	32	12,5/150	2	14
SAF 218	3.3/8"	4.1/8"	KM 18	MB 18	22218C	101,6	279,5	350	99	40	54	159	32	22	199	5/8" (3/4")	46	34	12,5/160	2	17
SAF 220	3.13/16"	4.1/2"	KM 20	MB 20	22220C	114,3	314	388	112	44	60	162	38	22	222	5/8" (3/4")	54	45	12/180	2	24
SAF 222	4.3/16"	4.7/8"	KM 22	MB 22	22222C	125,41	344,5	420	121	45	70	165	38	22	245	3/4"	58	51	10/200	1	26
SAF 224	4.9/16"	5.5/16"	KM 24	MB 24	22224C	133,35	352,5	420	121	50	70	188	38	22	261	3/4"	60	54	12,5/215	2	35
SAF 226	4.15/16"	5.7/8"	KM 26	MB 26	22226C	152,4	390	467	130	60	83	203	41	26	292	7/8"	64	60	13/230	2	49
SAF 228	5.5/16"	6.1/4"	KM 28	MB 28	22228C	152,4	421	512	150	52	86	194	44	28	299	1"	68	60	10/250	1	60
SAF 230	5.3/4"	6.5/8"	KM 30	MB 30	22230C	160,34	447,5	540	159	52	95	222	44	28	318	1"	74	64	11,5/270	2	73
SAF 232	6.1/16"	7"	KM 32	MB 32	22232C	169,86	465	559	159	52	95	222	50	28	338	1"	76	67	11,5/290	2	86
SAF 234	6.7/16"	7.7/16"	KM 34	MB 34	22234C	179,39	521	629	172	55	108	245	57	28	360	1"	79	70	13/310	2	93
SAF 236	6.7/8"	7.13/16"	KM 36	MB 36	22236C	190,5	565	680	181	67	118	254	65	28	378	1"	85	77	16/320	2	126
SAF 238	7.1/4"	8.3/8"	KM 38	MB 38	22238C	200,03	584	712	191	68	114	273	70	35	399	1.1/4"	88	80	16/340	2	146
SAF 240	7.5/8"	8.3/4"	KM 40	MB 40	22240C	209,55	603,5	750	203	70	127	286	70	35	420	1.1/4"	92	86	16/360	2	193
SAF 244	8.5/16"	9.9/16"	KM 44	MB 44	22244C	241,3	668,5	832	223	86	133	305	80	42	473	1.1/2"	98	96	17/400	2	225

Série SAF 300																					
Caixa	d1	d2	Porca	Arruela	Rolam	H	E	A	B	C	F	L	N	N1	P	S	U	V	Anel dim.	FRB Qtd.	Peso (kg)
SAF 308	1.7/16"	1.15/16"	KM 08	MB 08	22308C	63,5	171,5	210	60	30	—	95	20	15	122	(1/2")	30	25	10/90	1	5,2
SAF 309	1.11/16"	2.1/8"	KM 09	MB 09	22309C	69,85	193,5	245	70	33	—	101	25	18	135	(5/8")	32	25	10,5/100	1	6
SAF 310	1.7/8"	2.3/8"	KM 10	MB 10	22310C	76,2	212,5	270	70	35	—	115	25	18	148	(5/8")	35	29	11,5/110	1	6,1
SAF 311	2.1/16"	2.9/16"	KM 11	MB 11	22311C	82,55	223,5	280	80	37	51	121	25	18	157	1/2"(5/8")	37	31	12/120	1	7,5
SAF 312	2.1/4"	2.7/8"	KM 12	MB 12	22312C	82,55	232	286	80	33	48	128	25	18	162	1/2"(5/8")	39	31	10/130	1	10,5
SAF 313	2.7/16"	3.1/16"	KM 13	MB 13	22313C	88,9	262	330	89	36	54	137	32	22	177	5/8"(3/4")	42	32	10/140	1	12
SAF 314	2.5/8"	3.1/4"	KM 14	MB 14	22314C	95,25	265	330	89	37	54	137	32	22	188	5/8"(3/4")	44	32	10/150	1	14
SAF 315	2.13/16"	3.7/16"	KM 15	MB 15	22315C	101,6	279,5	350	99	40	54	159	32	22	199	5/8"(3/4")	46	34	10/160	1	17
SAF 316	3"	3.5/8"	KM 16	MB 16	22316C	107,95	295	362	99	43	54	159	34	22	210	5/8"(3/4")	50	34	10/170	1	18,5
SAF 317	3.3/16"	3.15/16"	KM 17	MB 17	22317C	114,3	314	388	112	44	60	162	38	22	223	5/8"(3/4")	54	45	10/180	1	24
SAF 318	3.3/8"	4.1/8"	KM 18	MB 18	22318C	120,65	324	394	112	48	57	175	38	22	234	3/4"	54	51	10/190	1	30
SAF 320	3.13/16"	4.1/2"	KM 20	MB 20	22320C	133,35	352,4	420	121	50	70	188	38	22	261	3/4"	60	54	10/215	1	35
SAF 322	4.3/16"	4.7/8"	KM 22	MB 22	22322C	152,4	390	467	130	61	83	203	41	26	292	7/8"	65	61	10/240	1	46
SAF 324	4.9/16"	5.5/16"	KM 24	MB 24	22324C	160,34	447,5	540	159	60	95	222	44	28	318	1"	69	64	10/260	1	62
SAF 326	4.15/16"	5.7/8"	KM 26	MB 26	22326C	169,86	465,5	559	159	62	95	222	50	28	338	1"	74	67	10/280	1	73
SAF 328	5.5/16"	6.1/4"	KM 28	MB 28	22328C	179,39	521	629	172	65	108	245	57	28	360	1"	79	70	10/300	1	95
SAF 330	5.3/4"	6.5/8"	KM 30	MB 30	22330C	190,5	565	680	181	67	118	254	65	28	378	1"	85	77	10/320	1	126
SAF 332	6.1/16"	7"	KM 32	MB 32	22332C	200,03	584	712	191	68	114	273	70	35	399	1.1/4"	88	80	10/340	1	146
SAF 334	6.7/16"	7.7/16"	KM 34	MB 34	22334C	209,55	603,5	750	203	70	127	286	70	35	420	1.1/4"	92	86	10/360	1	193
SAF 338	7.1/4"	8.3/8"	KM 38	MB 38	22338C	241,3	668,5	832	223	86	133	305	80	42	473	1.1/2"	98	96	10/400	1	225

## SAF 500 / FSAF 500



Execução Cega



Execução Passante

Caixa	d	Rolam	Bucha de Fixação	H	E	A	B	C	F	L	N	N1	P	S	U	V	Anel dim.	FRB Qtd.	Peso (kg)
SAF 509	1.7/16" 1.1/2" 40 mm	22209 K	HA 309 HE 309 H 309	57,15	168,5	210	60	25	—	92	20	14	111	(1/2")	28	21	8/85	1	4,8
SAF 510	1.11/16" 1.3/4" 45 mm	22210 K	HA 310 HE 310 H 310	63,5	171,5	210	60	30	—	95	20	15	122	(1/2")	25	25	10/90	2	5,2
SAF 511	1.15/16" 50 mm 2"	22211 K	HA 311 H 311 HE 311	69,85	193,5	245	70	35	—	101	25	18	135	(5/8")	32	25	10,5/100	2	6
SAF 513	2.3/16" 2.1/4" 60 mm	22213 K	HA 313 HE 313 H 313	76,2	223,5	279	80	28	51	114	25	18	151	1/2" (5/8")	36	25	11/120	2	8
SAF 515	2.7/16" 2.1/2" 65 mm	22215 K	HA 315 HE 315 H 315	82,55	232	286	80	33	48	128	25	18	162	1/2" (5/8")	39	31	12,5/130	2	10,5
SAF 516	2.11/16" 2.3/4" 70 mm	22216 K	HA 316 HE 316 H 316	88,9	262	330	89	32	54	137	32	22	177	5/8" (3/4")	42	32	12,5/140	2	12
SAF 517	2.15/16" 75 3"	22217 K	HA 317 H 317 HE 317	95,25	265,5	330	89	37	54	137	32	22	188	5/8" (3/4")	44	32	12,5/150	2	14
SAF 518	80 mm 3.3/16" 3.1/4"	22218 K	HA 318 HE 318 H 318	101,6	279,5	350	99	40	54	159	32	22	199	5/8" (3/4")	46	41	12,5/160	2	17
SAF 520	3.7/16" 3.1/2" 90 mm	22220 K	HA 320 HE 320 H 320	114,3	314	388	116	44	60	162	38	22	222	5/8" (3/4")	54	45	12/180	2	24
SAF 522	3.11/16" 100 mm 3.15/16" 4"	22222 K	HS 322 H 322 HA 322 HE 322	125,41	344,5	420	121	45	70	165	38	22	245	3/4"	58	51	10/200	1	26
SAF 524	4.3/16" 4.1/4" 110 mm	22224 K	HA 3124 HE 3124 H 3124	133,35	352,5	420	121	50	70	188	38	22	261	3/4"	60	54	12,5/215	2	35
SAF 526	4.7/16" 4.1/2" 115 mm	22226 K	HA 3126 HE 3126 H 3126	152,4	390	467	130	60	83	203	41	26	292	7/8"	64	60	13/230	2	49
SAF 528	125 mm 4.15/16" 5"	22228 K	H 3128 HA 3128 HE 3128	152,4	421	512	150	52	86	194	44	28	299	1"	68	60	10/250	1	60
SAF 530	5.3/16" 5.1/4" 135 mm	22230 K	HA 3130 HE 3130 H 3130	160,34	447,5	540	159	52	95	222	44	28	318	1"	74	64	11,5/270	2	73
SAF 532	5.7/16" 5.1/2" 140 mm	22232 K	HA 3132 HE 3132 H 3132	169,86	465	559	159	52	95	222	50	28	338	1"	76	67	11,5/290	2	86
SAF 534	150 mm 5.15/16" 6"	22234 K	HA 3134 HE 3134 H 3134	179,39	521	629	172	55	108	245	57	28	360	1"	79	70	13/310	2	93
SAF 536	160 mm 6.7/16" 6.1/2"	22236 K	H 3136 HA 3136 HE 3136	190,5	565	680	181	67	118	254	65	28	378	1"	85	77	16/320	2	126
SAF 538	170 mm 6.3/4" 6.15/16" 7"	22238 K	H 3138 HE 3138 HA 3138	200,03	584	712	191	68	114	273	70	35	399	1.1/4"	88	80	16/340	2	146
SAF 540	180 mm 7.3/16" 7.1/2"	22240 K	HE 3140 H 3140 HA 3140	209,55	603,5	750	203	70	127	286	70	35	420	1.1/4"	92	86	16/360	2	193
SAF 544	200 mm 7.1/2" 7.15/16"	22244 K	HE 3144 H 3144 HA 3144	241,3	668,5	832	223	86	133	305	80	42	473	1.1/2"	98	96	17/400	2	225

SAF 600 / FSAF 600

Caixa	d	Rolam.	Bucha de Fixação	H	E	A	B	C	F	L	N	N1	P	S	U	V	Anel dim.	FRB Qtd	Peso (kg)
SAF 609	1.7/16" 1.1/2" 40 mm	22309K	HA 2309 HE 2309 H 2309	69,85	193,5	245	70	33	—	101	25	18	135	(5/8")	32	25	10,5/100	1	6
SAF 610	1.11/16" 1.3/4" 45 mm	22310K	HA 2310 HE 2310 H 2310	76,2	212,5	270	70	35	—	115	25	18	148	(5/8")	35	29	11,5/110	1	6,1
SAF 611	1.15/16" 50 mm 2"	22311K	HA 2311 HE 2311 H 2311	82,55	223,5	279	79	37	51	121	25	18	157	1/2" (5/8")	37	30	12/120	1	7,5
SAF 613	2.3/16" 2.1/4" 60 mm	22313K	HA 2313 HE 2313 H 2313	88,9	262	330	89	36	54	137	32	22	177	5/8" (3/4")	41	32	10/140	1	12
SAF 615	2.7/16" 2.1/2" 65 mm	22315K	HA 2315 HE 2315 H 2315	101,6	279,5	350	99	40	54	159	32	22	199	5/8" (3/4")	46	34	10/160	1	17
SAF 616	2.11/16" 2.3/4" 70 mm	22316K	HA 2316 HE 2316 H 2316	107,95	295	362	99	43	54	159	34	22	210	5/8" (3/4")	50	34	10/170	1	18,5
SAF 617	2.15/16" 75 mm 3"	22317K	HA 2317 HE 2317 H 2317	114,2	314	388	111	44	60	172	38	22	222	5/8" (3/4")	52	45	10/180	1	24
SAF 618	80mm 3.3/16" 3.1/4"	22318K	H 2318 HA 2318 HE 2318	120,65	324	394	112	48	57	175	38	22	234	3/4"	54	51	10/190	1	30
SAF 620	3.7/16" 3.1/2" 90 mm	22320K	HA 2320 HE 2320 H 2320	133,35	352,4	420	121	50	70	188	38	22	261	3/4"	60	54	10/215	1	35
SAF 622	3.11/16" 100 mm 3.15/16" 4"	22322K	HS 2322 H 2322 HA 2322 HE 2322	152,4	389	467	130	61	83	203	41	26	292	7/8"	65	60	10/240	1	49
SAF 624	4.3/16" 4.1/4" 110 mm	22324K	HA 2324 HE 2324 H 2324	160,34	447,5	540	159	60	95	222	44	28	318	1"	69	64	10/260	1	62
SAF 626	4.7/16" 4.1/2" 115 mm	22326K	HA 2326 HE 2326 H 2326	169,86	465,5	559	159	62	95	222	50	28	338	1"	74	67	10/280	1	73
SAF 628	125 mm 4.15/16" 5"	22328K	H 2328 HA 2328 HE 2328	179,39	521	629	172	65	108	245	57	28	360	1"	79	70	10/300	1	95
SAF 630	5.3/16" 5.1/4" 135 mm	22330K	HA 2330 HE 2330 H 2330	190,5	565	680	181	67	117	254	65	28	378	1"	85	76	10/320	1	126
SAF 632	5.7/16" 5.1/2" 140 mm	22332K	HA 2332 HE 2332 H 2332	200,03	584	712	191	68	114	273	70	35	399	1.1/4"	88	80	10/340	1	146
SAF 634	150 mm 5.15/16" 6"	22334K	H 2334 HA 2334 HE 2334	209,55	603,5	750	203	70	127	286	70	35	419	1.1/4"	92	86	10/360	1	193
SAF 638	170 mm 6.3/4" 6.15/16"	22338K	H 2338 HE 2338 HA 2338	241,3	668,5	832	222	86	133	305	80	42	473	1.1/2"	98	96	10/400	1	225

TABELA DE RESISTENCIA DAS CAIXAS DA SÉRIE SAF (PARAFUSO DE UNIÃO CLASSE 8.8)



Tamanho da Caixa	Carga de ruptura kN					Limite de escoamento parafusos					
	55°	90°	120°	150°	180°	120°	150°	180°			
-	-	509	-	160	96	72	64	80	160	88	80
-	308	510	-	190	114	85	76	95	160	88	80
-	309	511	609	220	132	99	88	110	240	132	120
-	310	513	610	260	156	117	104	130	240	132	120
311	312	515	611	280	168	126	112	140	240	132	120
216	313	516	613	320	192	144	128	160	440	242	220
217	314	517	-	360	216	162	144	180	440	242	220
218	315	518	615	380	228	171	152	190	440	242	220
-	316	-	616	420	252	189	168	210	440	242	220
220	317	520	617	480	288	216	192	240	600	330	300
222	318	522	618	620	372	279	248	310	600	330	300
224	320	524	620	760	456	342	304	380	600	330	300
226	322	526	622	920	552	414	368	460	1100	605	550
228	-	528	-	1100	660	495	440	550	1100	605	550
230	324	530	624	1300	780	585	520	650	1100	605	550
232	326	532	626	1600	960	720	640	800	1100	605	550
234	328	534	628	1700	1020	765	680	850	1500	825	750
236	330	536	630	1900	1140	855	760	950	1500	825	750
238	332	538	632	2200	1320	990	880	1100	2000	1100	1000
240	334	540	634	2600	1560	1170	1040	1300	2000	1100	1000
244	338	544	638	3200	1920	1440	1280	1600	2000	1100	1000